

Collegiate Park Apartments Building 3
Level 1 Floor Plan

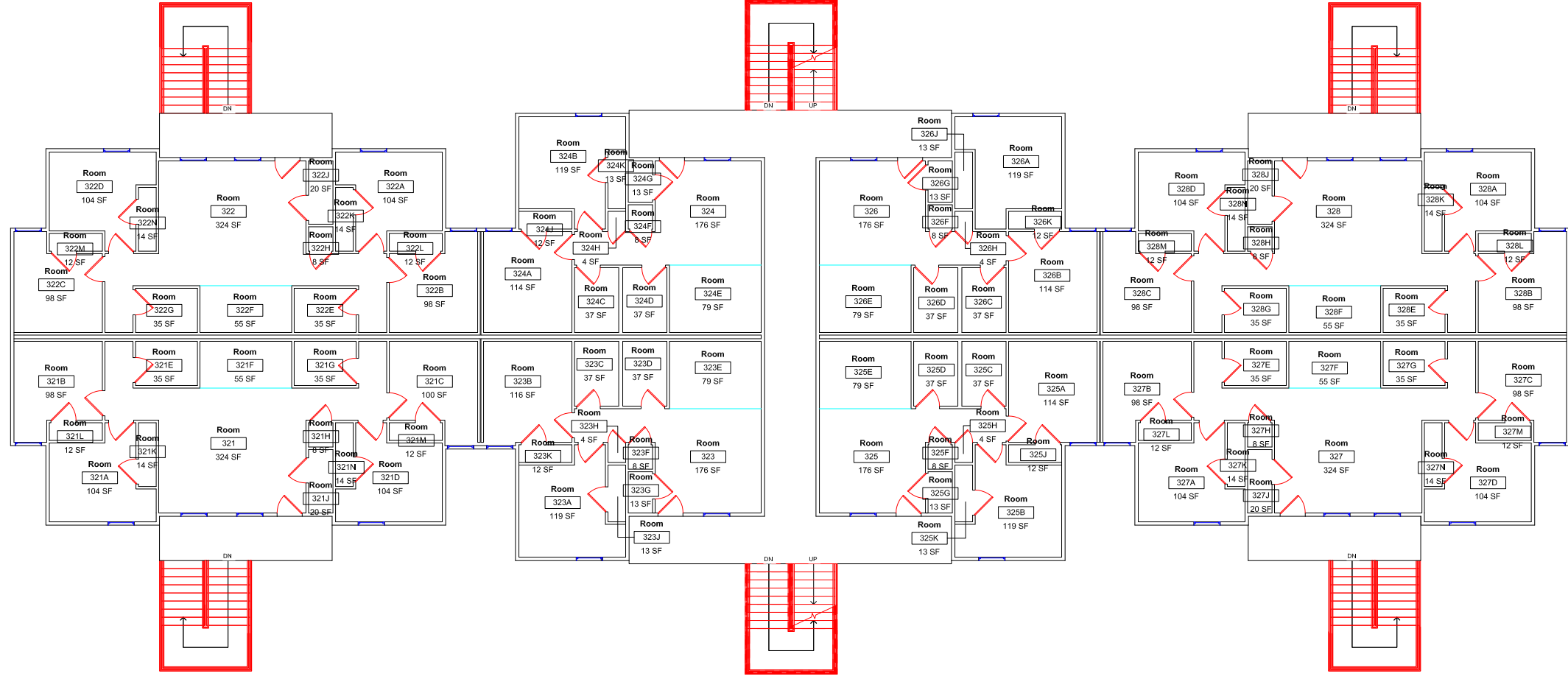
DWN.	DATE
	9-11-2012
REV.	DATE



1 OF 3
DRAWING NO:



SCALE: 1/16" = 1'

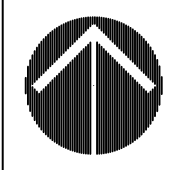


Collegiate Park Apartments Building 3
Level 2 Floor Plan

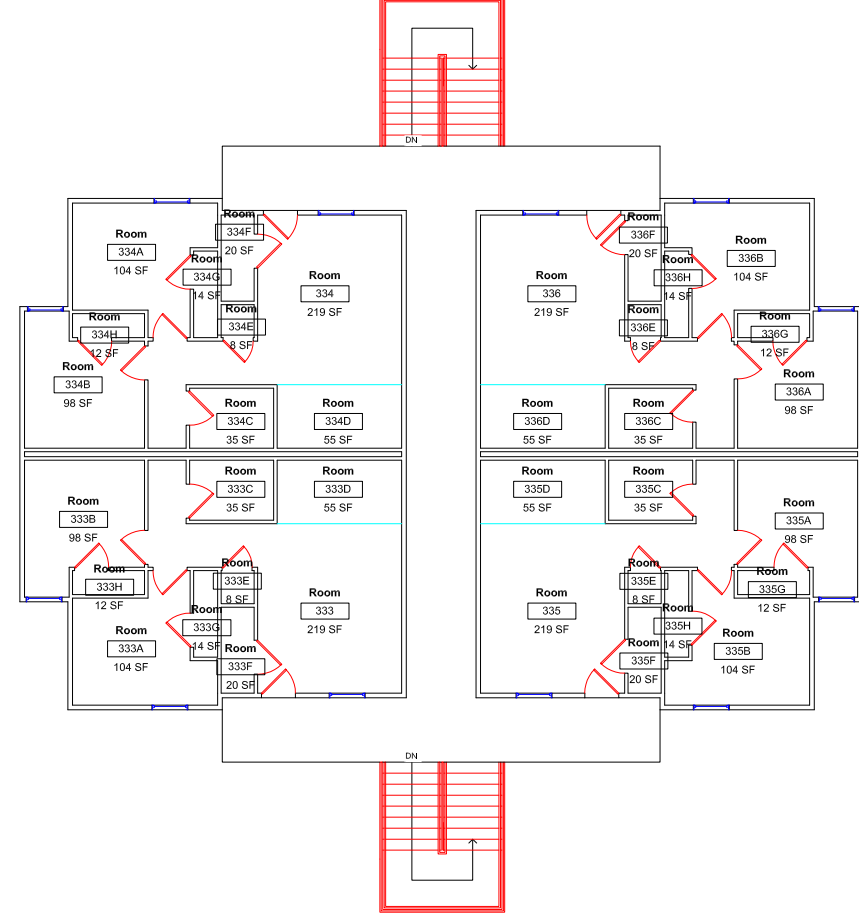
DWN.	DATE
	9-11-2012
REV.	DATE



2 OF 3
DRAWING NO:



SCALE: 1/16" = 1'



Collegiate Park Apartments Building 3
Level 3 Floor Plan

DWN.	DATE
	9-11-2012
REV.	DATE

