

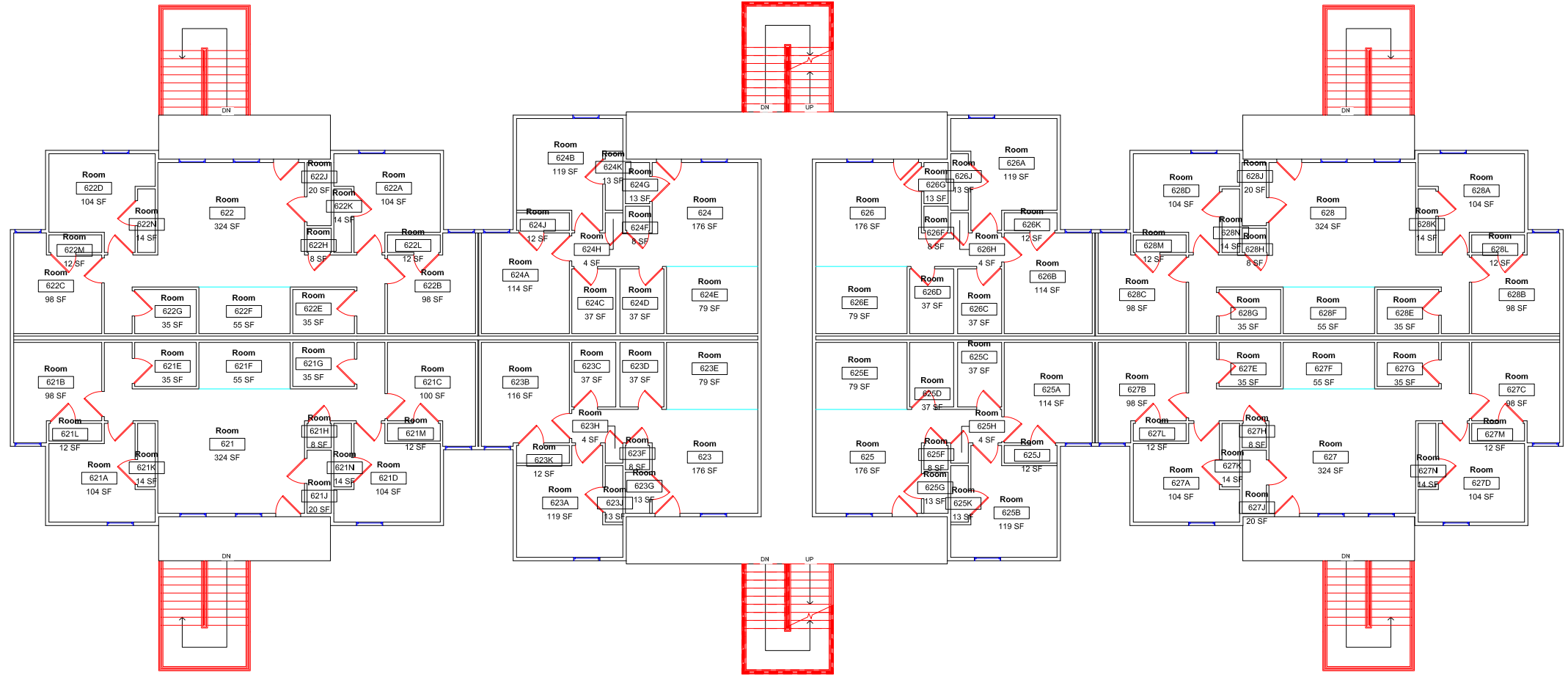
SCALE: 1/16" = 1'

| DWN. | DATE |
|------|-----------|
| JRC | 9-11-2012 |
| REV. | DATE |
| | |
| | |
| | |
| | |

Collegiate Park Apartments Building 6
Level 1 Floor Plan



1 OF 3
 DRAWING NO:



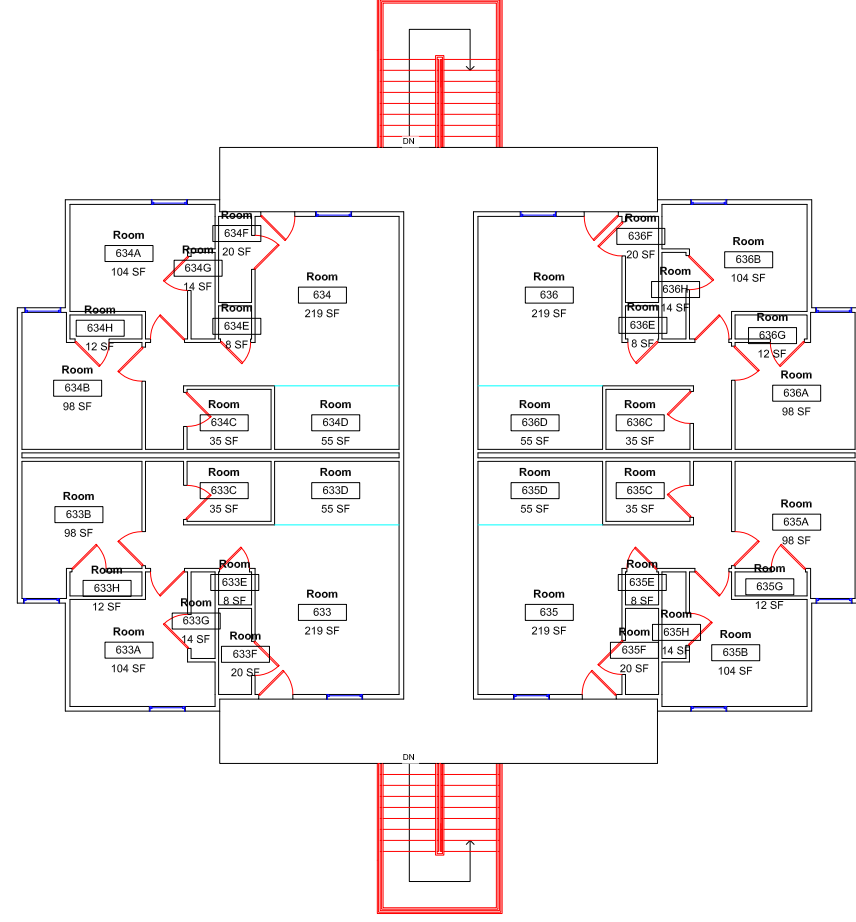
SCALE: 1/16" = 1'

| DWN. | DATE |
|------|-----------|
| JRC | 9-11-2012 |
| REV. | DATE |
| | |
| | |
| | |
| | |

Collegiate Park Apartments Building 6
Level 2 Floor Plan



2 OF 3
 DRAWING NO:



Collegiate Park Apartments Building 6
Level 3 Floor Plan

| DWN. | DATE |
|------|-----------|
| JRC | 9-11-2012 |
| REV. | DATE |
| | |
| | |
| | |
| | |

