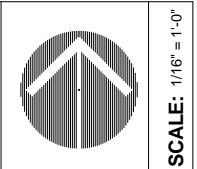
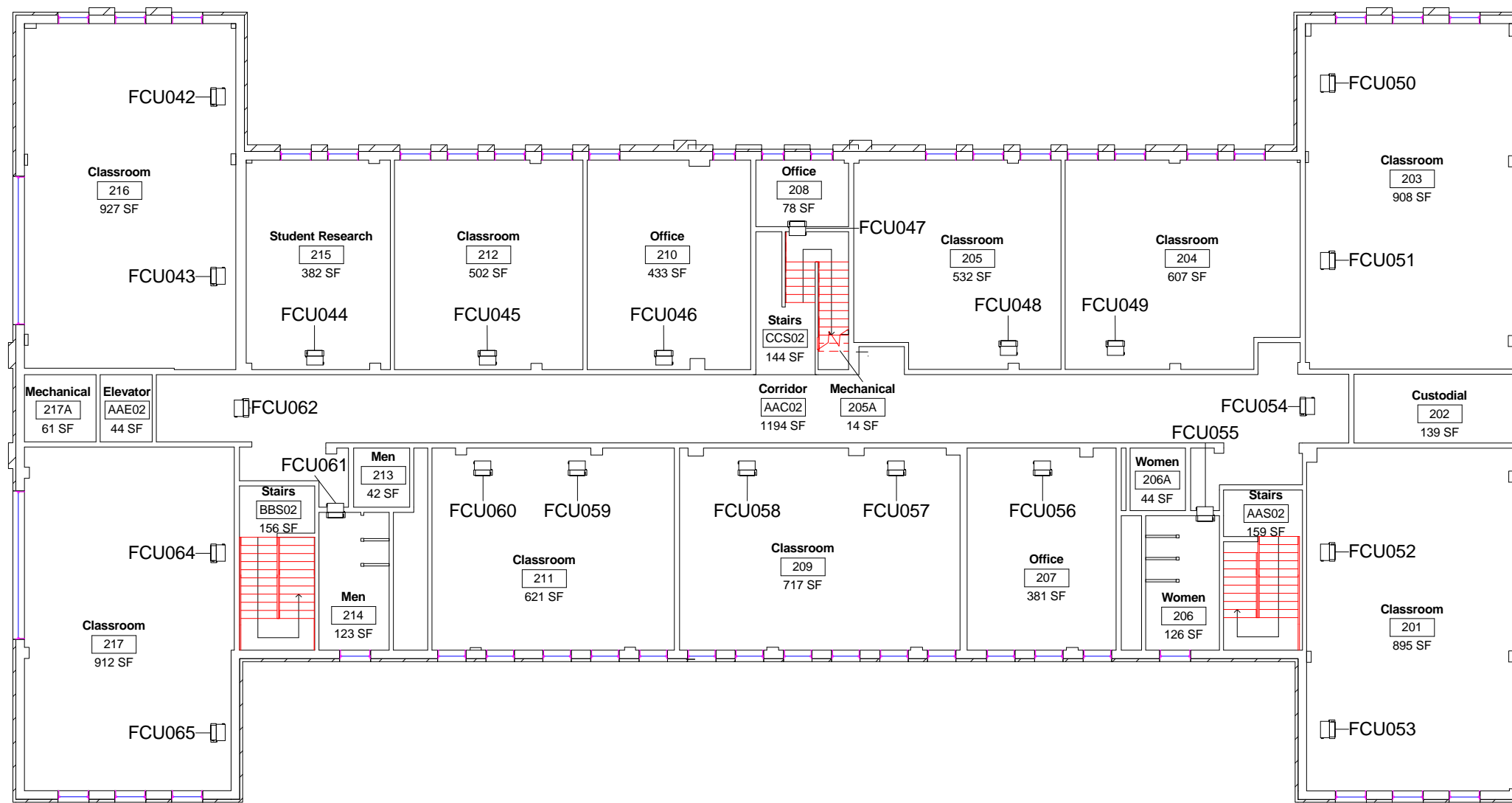


DWN	DATE	5/29/2014
	Author	
REV.	DATE	

Computer Science and Mathematics
Level 1 HVAC Service Areas



SCALE: 1/16" = 1'-0"

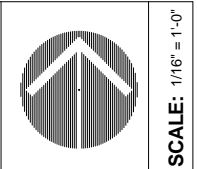


DWN	DATE
STK	5/29/2014
REV.	DATE

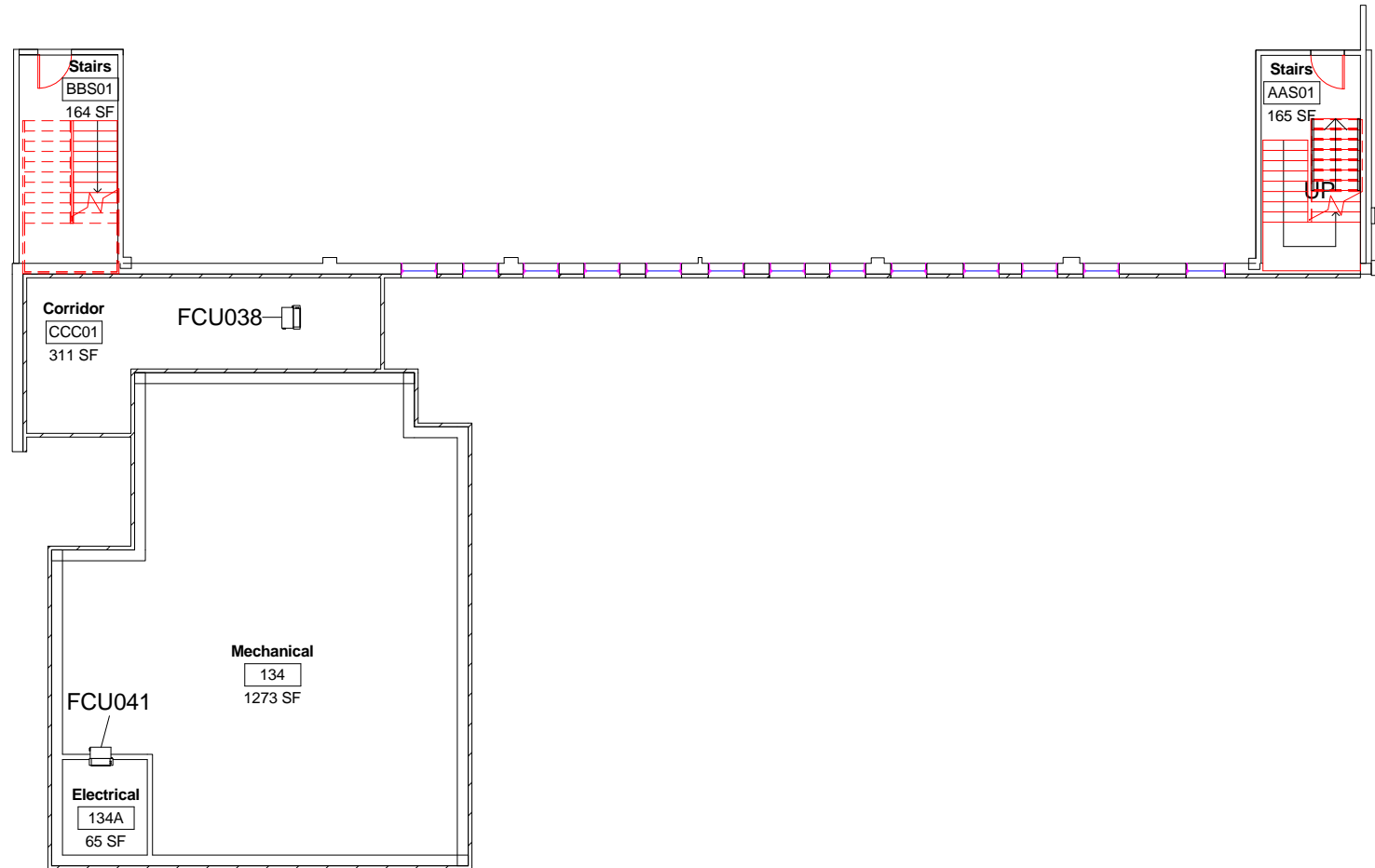
Computer Science and Mathematics
Level 2 HVAC Service Areas



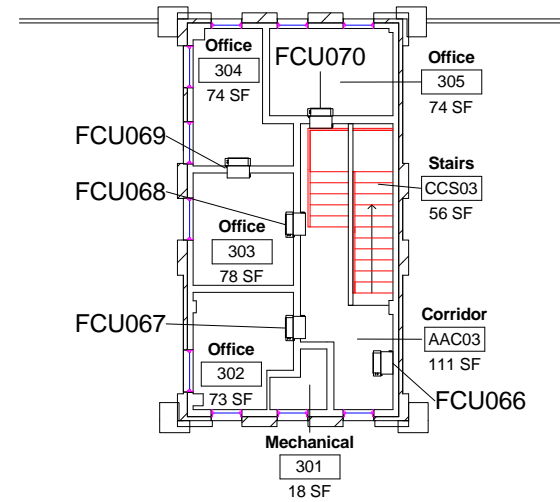
M2



SCALE: 1/16" = 1'-0"



② Air Handling Units 0
1/16" = 1'-0"



① Air Handling Units 3
1/16" = 1'-0"



SCALE: 1/16" = 1'-0"

DWN	DATE
STK	5/29/2014
REV.	DATE

Computer Science and Mathematics
Level 3 & Exterior Mechanical HVAC Service Areas

