

A1

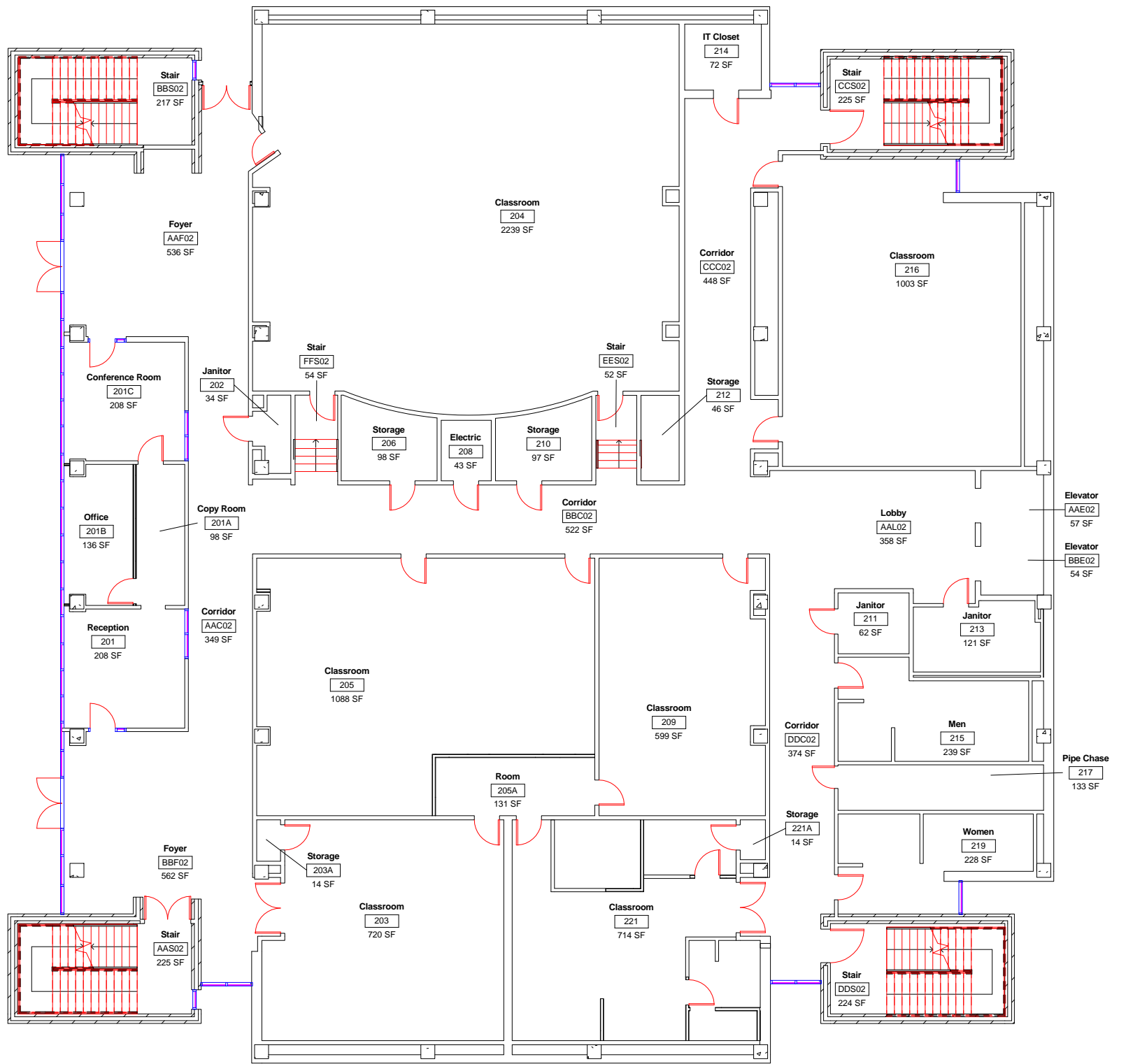


Eugene Smith Hall
Level 1 Floor Plan

DWN	DATE
PAC	11-2-16
REV.	DATE



SCALE: 1/16" = 1'-0"



A2

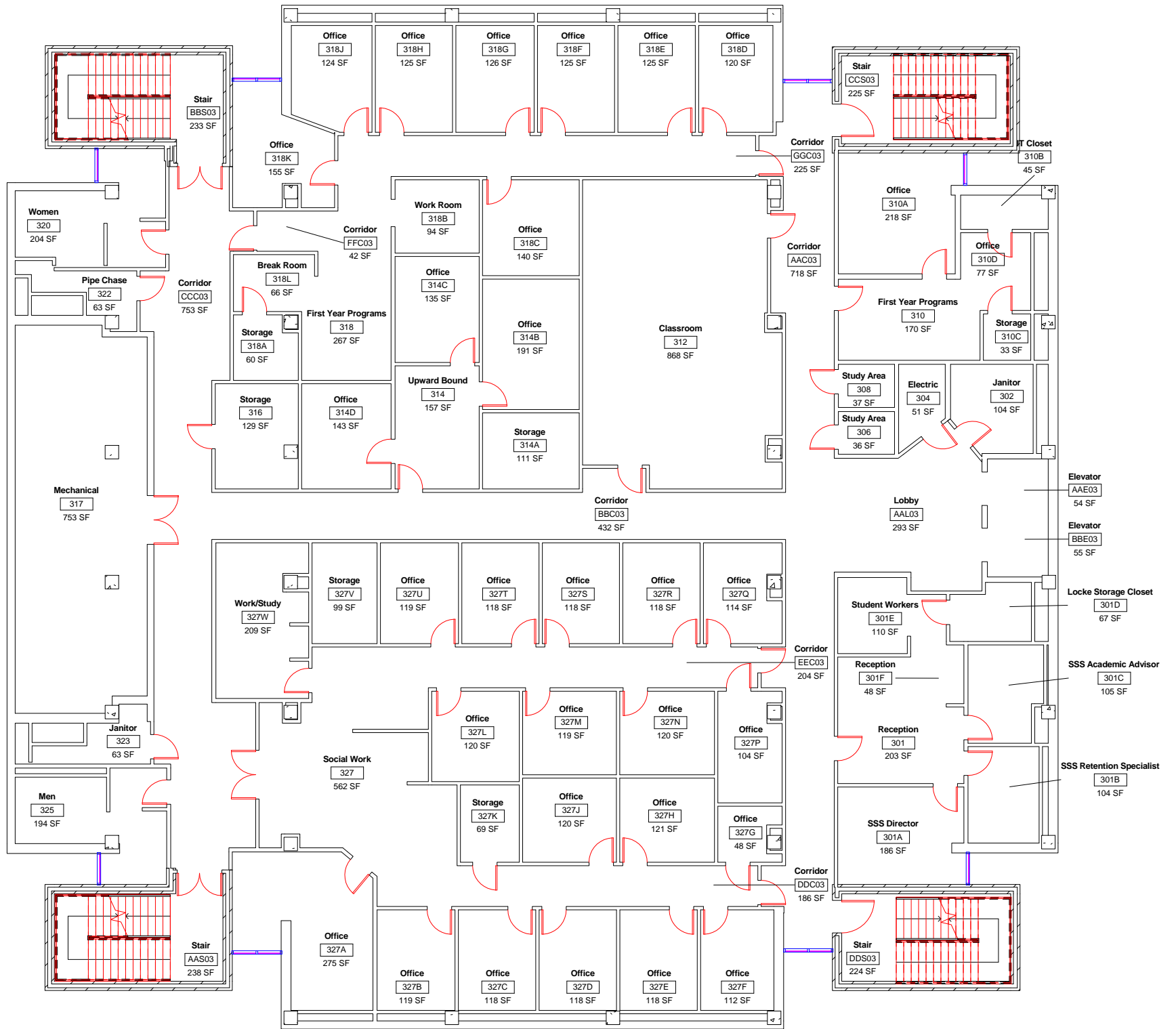


Eugene Smith Hall
Level 2 Floor Plan

DWN	DATE
PAC	11-2-16
REV.	DATE



SCALE: 1/16" = 1'-0"



A3

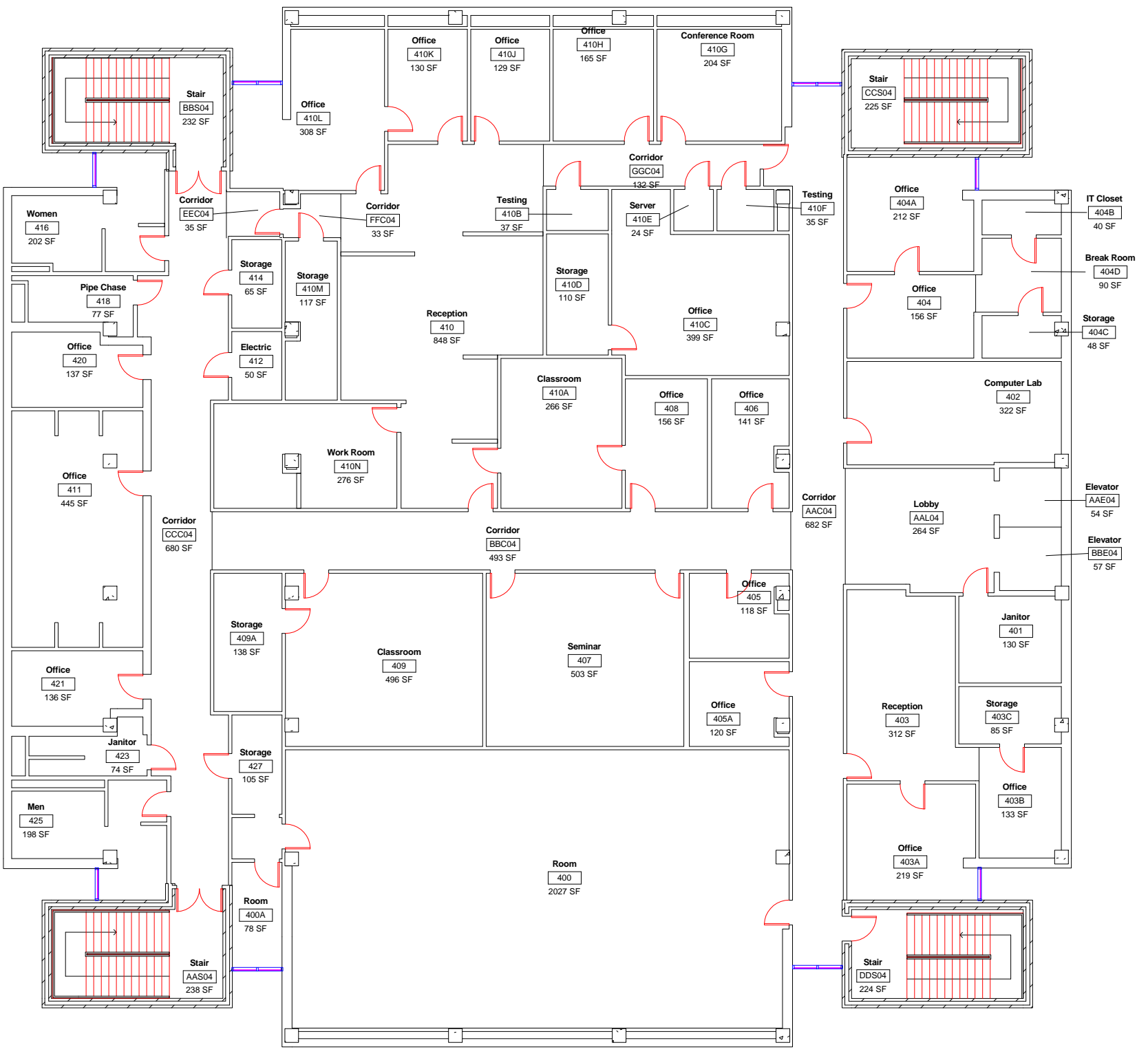


Eugene Smith Hall
Level 3 Floor Plan

DWN	DATE
PAC	11-2-16
REV.	DATE



SCALE: 1/16" = 1'-0"



DWN	DATE
PAC	11-2-16
REV.	DATE

