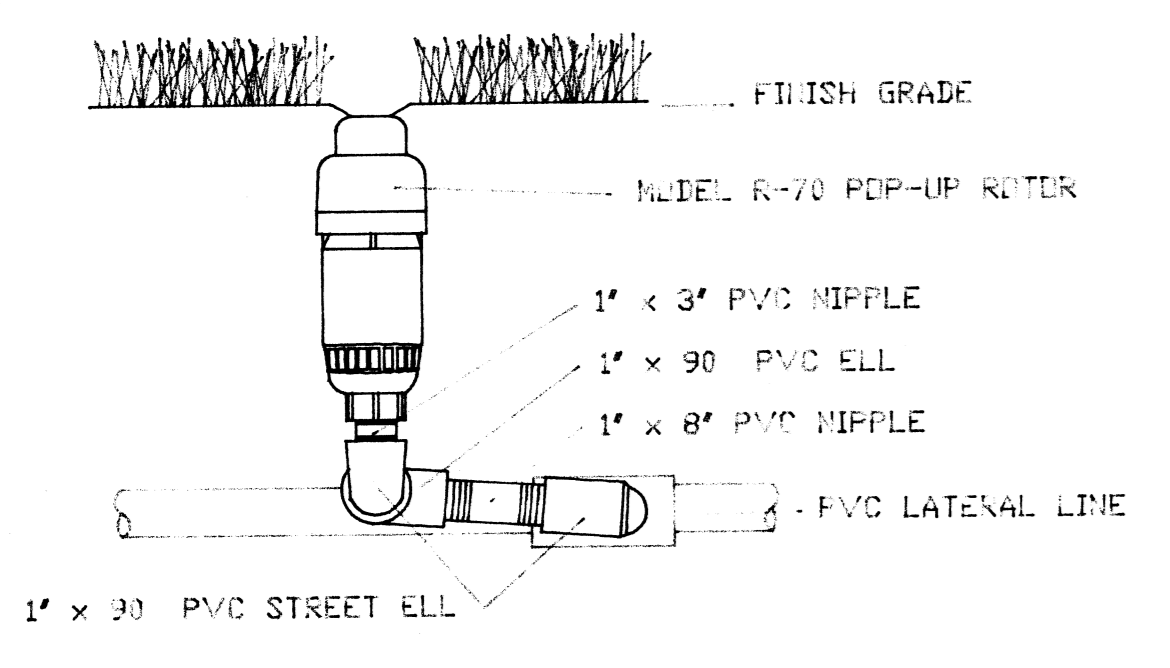
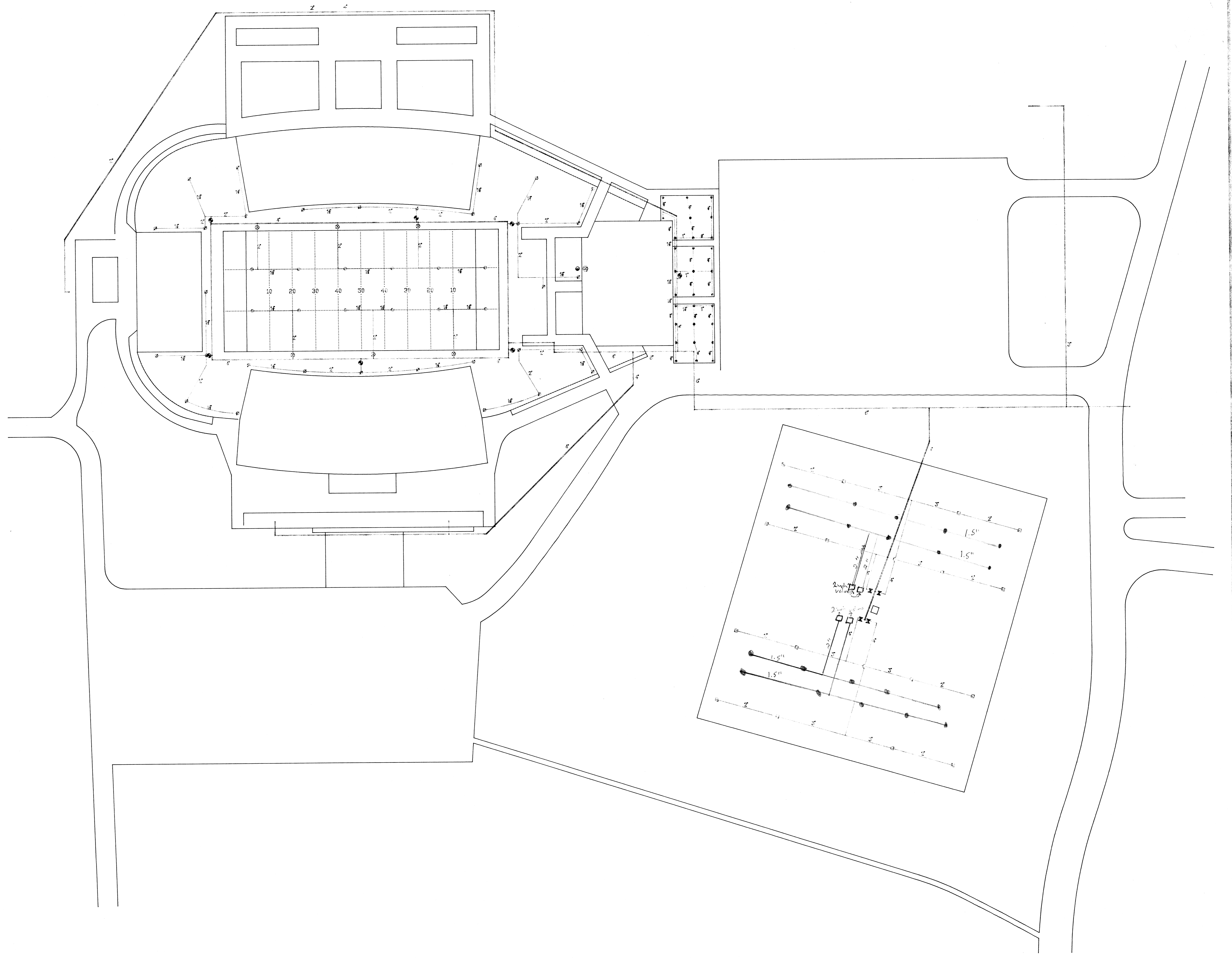


IRRIGATION PLAN

ARKANSAS STATE UNIVERSITY  
FOOTBALL STADIUM  
JONESBORO, ARKANSAS

DWN: MITCH LANGLEY KEELING COMPANY  
DATE: 07-01-93 4227 E. 43RD STREET  
SCALE: 1" = 50' NORTH LITTLE ROCK, AR 72231

RAINBIRD 200PE 2" ZONE VALVE W/FLO CONTROL	7
RAINBIRD 150PE 1 1/2" ZONE VALVE W/FLO CONTROL	6
RAINB. ) ESP-16X (16) STATION CONTROLLER	1
RAINBIRD RAINCHECK - AUTOMATIC RAIN SHUTOFF	1
RAINBIRD R-70-PC-20-RC CLOSED-CASE ROTOR	31
RAINBIRD R-70-FC-20-RC CLOSED-CASE ROTOR	12
RAINBIRD T-30-1.3 TBIRD POP-UP ROTOR	13
RAINBIRD T-30-2.5 TBIRD POP-UP ROTOR	13
RAINBIRD T-30-5.0 TBIRD POP-UP ROTOR	4



INSTALLATION DETAIL

**KEELING CO.**

4227 EAST 43RD STREET  
NORTH LITTLE ROCK, ARKANSAS (501) 945-4511

SALESMAN: CHARLES FINCHER

<b>SPRINGDALE, AR</b> 1203 CARLEY ROAD (501) 756-9055	<b>FORT SMITH, AR</b> 6112 SOUTH ZERO (501) 648-3400
---	--

<b>SHREVEPORT, LA</b> 9262 LINWOOD (318) 687-9171	<b>JONESBORO, AR</b> 4104 STADIUM BLVD. (501) 935-0666
---	--

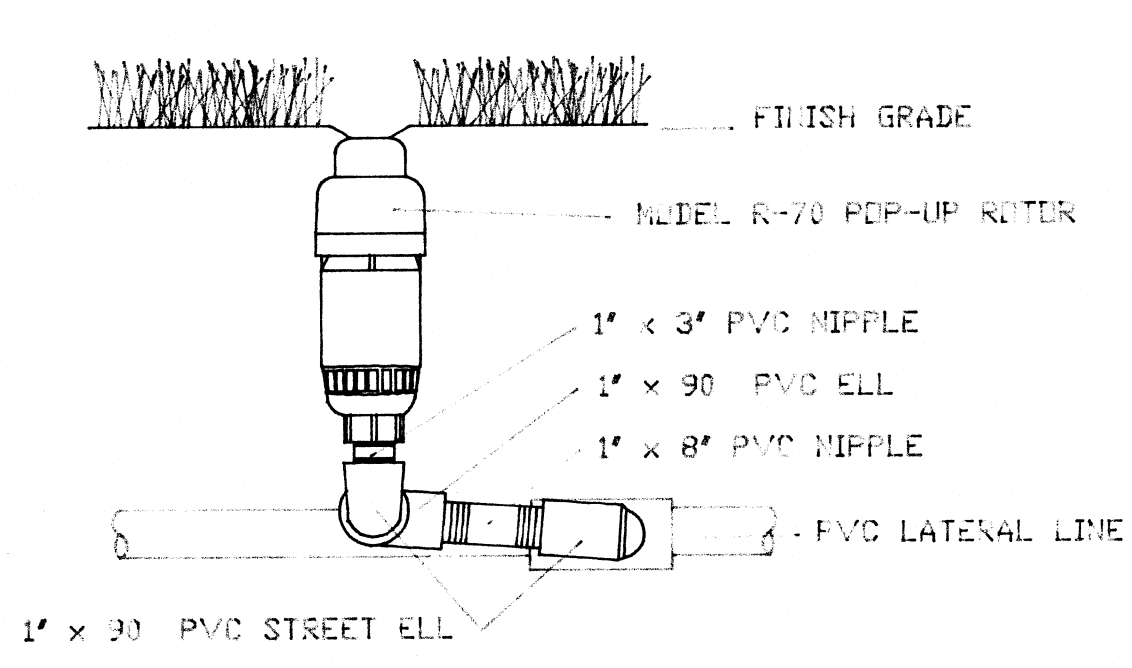
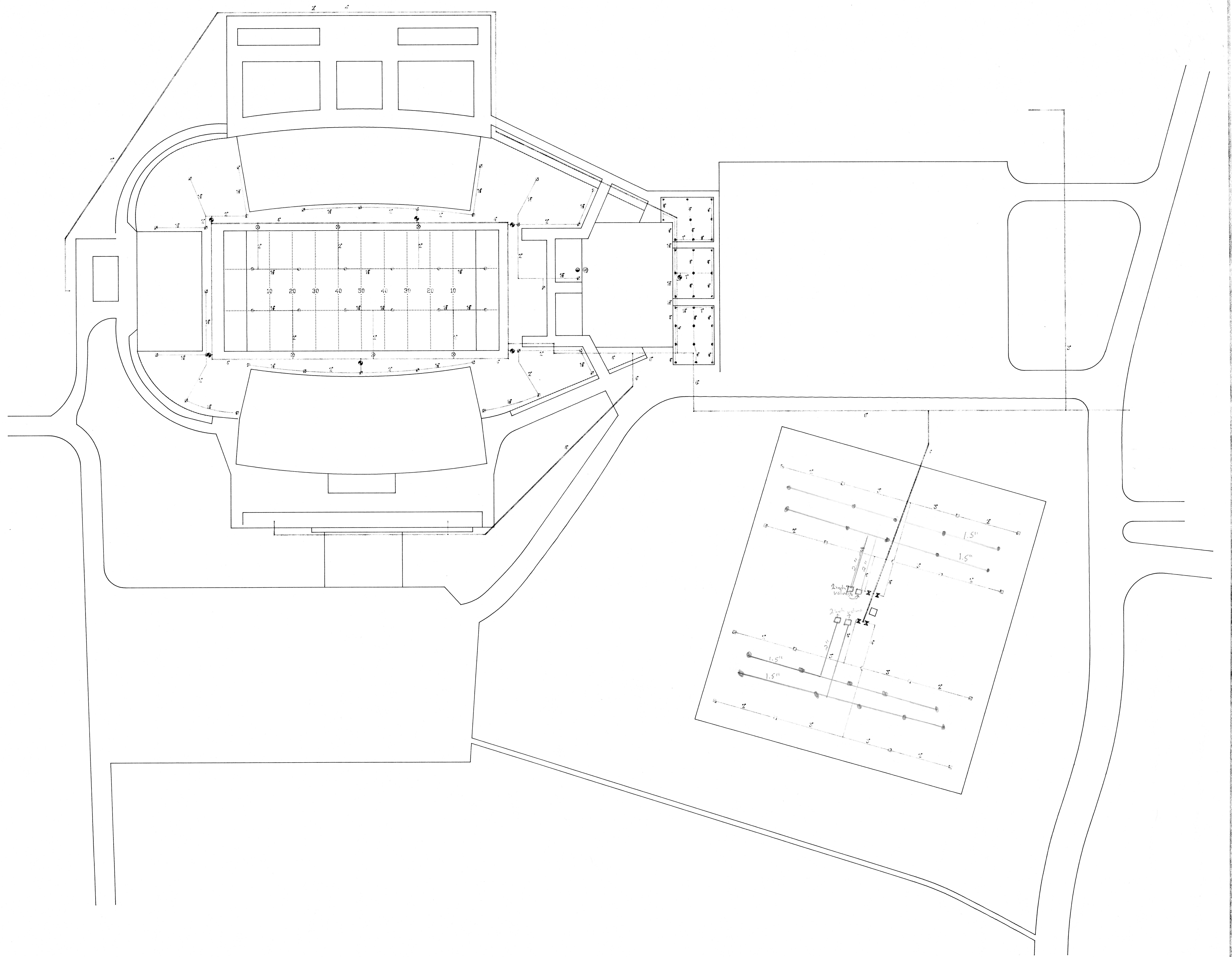
<b>JACKSON, MS</b> 819 LARSON (601) 944-0880	<b>BATON ROUGE, LA</b> 12319 INDUSTRIPLEX BLVD. (504) 751-6464
--	--

IRRIGATION PLAN

ARKANSAS STATE UNIVERSITY  
FOOTBALL STADIUM  
JONESBORO, ARKANSAS

DWN: MITCH LANGLEY KEELING COMPANY  
DATE: 07-01-93 4227 E. 43RD STREET  
SCALE: 1" = 50' NORTH LITTLE ROCK, AR 72231

RAINBIRD 200PE 2" ZONE VALVE W/FLO CONTROL	7
RAINBIRD 150PE 1 1/2" ZONE VALVE W/FLO CONTROL	6
RAINB. ESP-16X (16) STATION CONTROLLER	1
RAINBIRD RAINCHECK - AUTOMATIC RAIN SHUTOFF	1
RAINBIRD R-70-PC-20-RC CLOSED-CASE ROTOR	31
RAINBIRD R-70-FC-20-RC CLOSED-CASE ROTOR	12
RAINBIRD T-30-1.3 TBIRD POP-UP ROTOR	13
RAINBIRD T-30-2.5 TBIRD POP-UP ROTOR	13
RAINBIRD T-30-5.0 TBIRD POP-UP ROTOR	4



INSTALLATION DETAIL

**KEELING CO.**

4227 EAST 43rd STREET  
NORTH LITTLE ROCK, ARKANSAS (501) 945-4511

SALESMAN: CHARLES FINCHER

**SPRINGDALE, AR**  
1203 CARLEY ROAD  
(501) 756-9055

**FORT SMITH, AR**  
6112 SOUTH ZERO  
(501) 648-3400

**SHREVEPORT, LA**  
9262 LINWOOD  
(318) 687-9171

**JONESBORO, AR**  
4104 STADIUM BLVD.  
(501) 935-0666

**JACKSON, MS**  
819 LARSON  
(601) 944-0880

**BATON ROUGE, LA**  
12319 INDUSTRIPLEX BLVD.  
(504) 751-6464